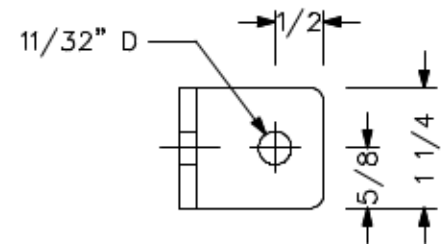
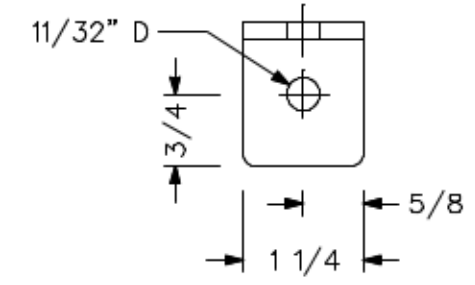
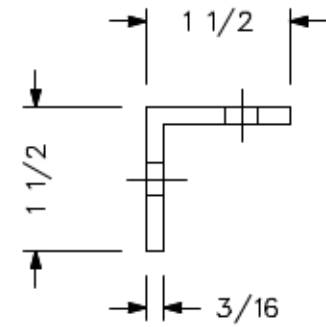


ASSEMBLY



NOTES:

1. ONE HOLE NOT CENTERED TO ALLOW NUT TO CLEAR OTHER CARRIAGE BOLT
2. 1 1/4" WIDE TO CLEAR OTHER ITEMS FLUSH WITH 80/20
3. ELASTIC STOP NUT USED DUE TO VEHICLE VIBRATIONS

*ORTON DESIGN*

CONNECTOR "D" – 90 DEGREE 1/2" AND 3/4" ANGLE

HALF

MATERIAL – 3/16 x 1 1/2" ALUMINUM ANGLE

ODJ127-43