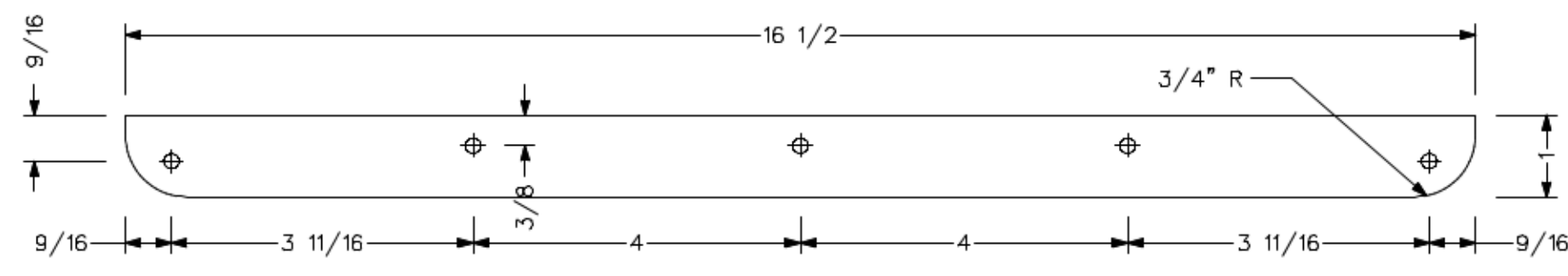
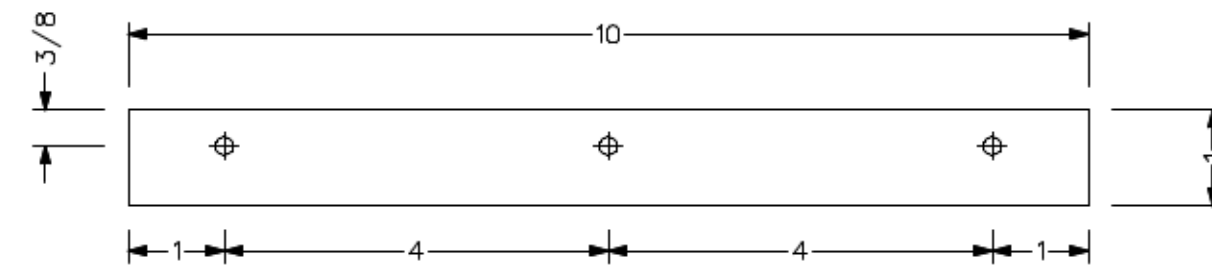


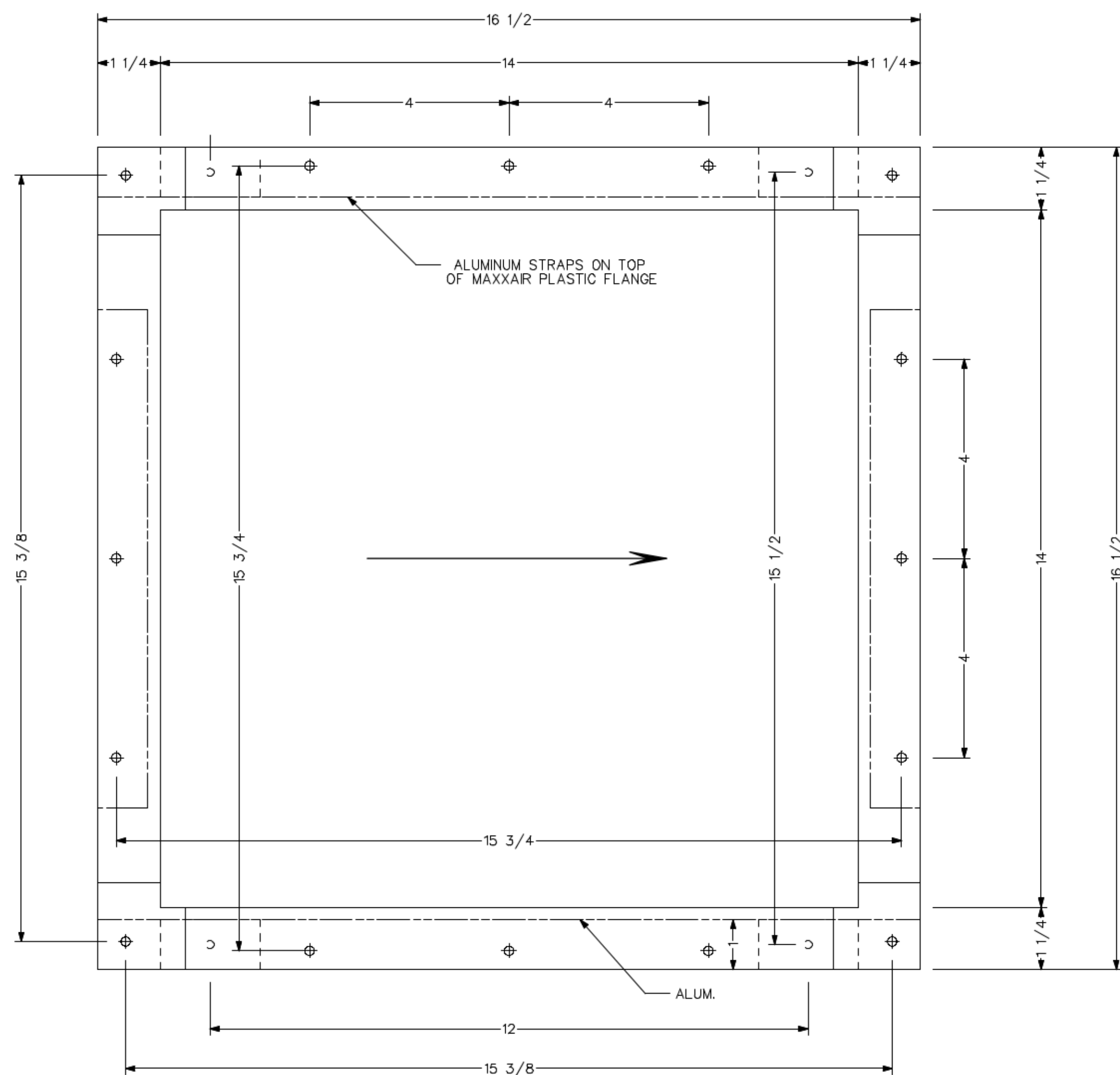
TREX FOR SIDE CORRUGATION SPACER
2 REQUIRED 3/32" THICK TREX PLASTIC WOOD



LONG ALUMINUM STRAP
2 REQUIRED 1/8 x 1" ALUMINUM

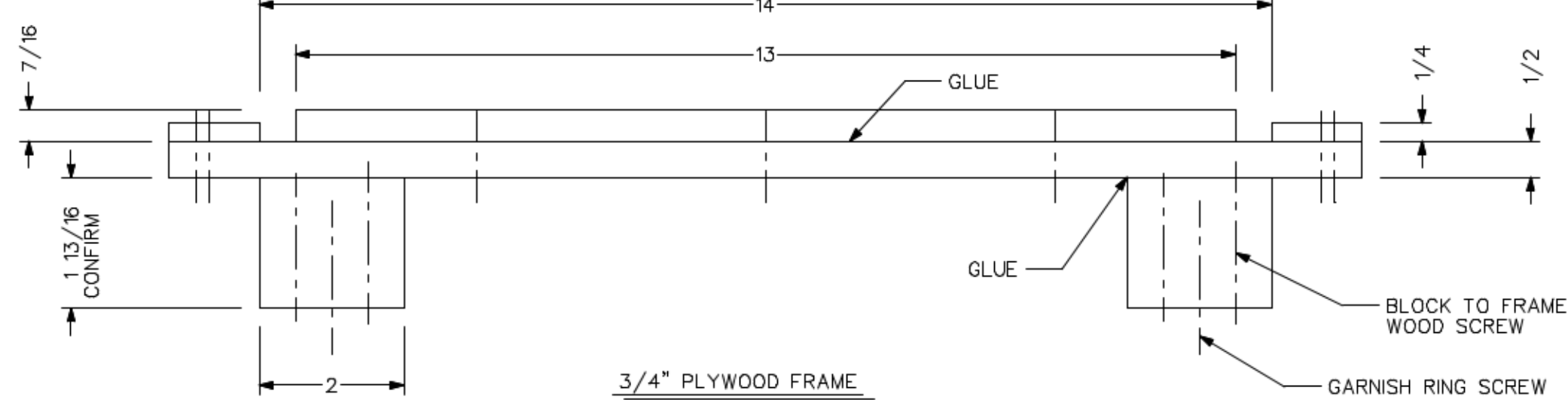


SHORT ALUMINUM STRAP
2 REQUIRED 1/8 x 1" ALUMINUM

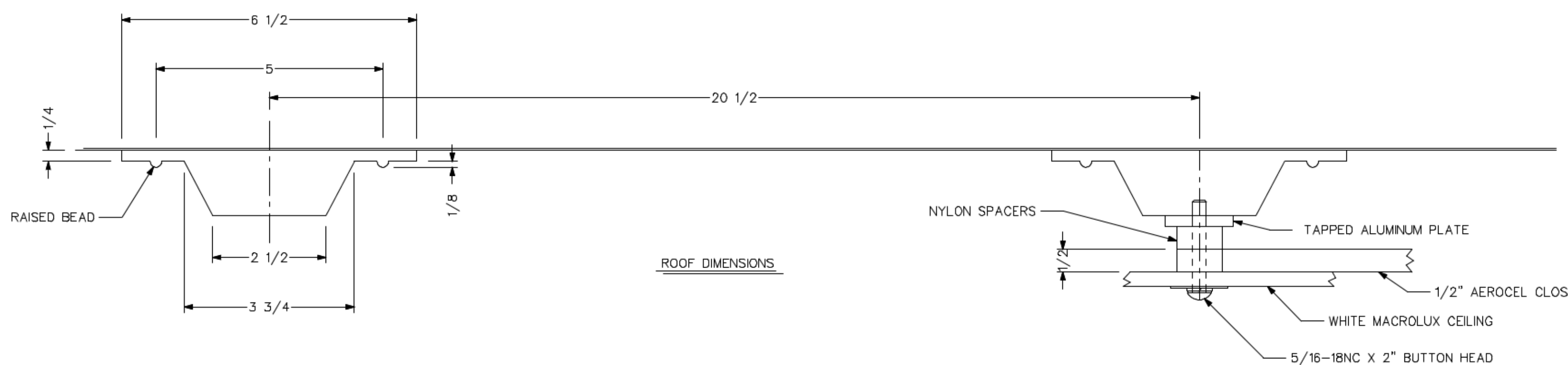
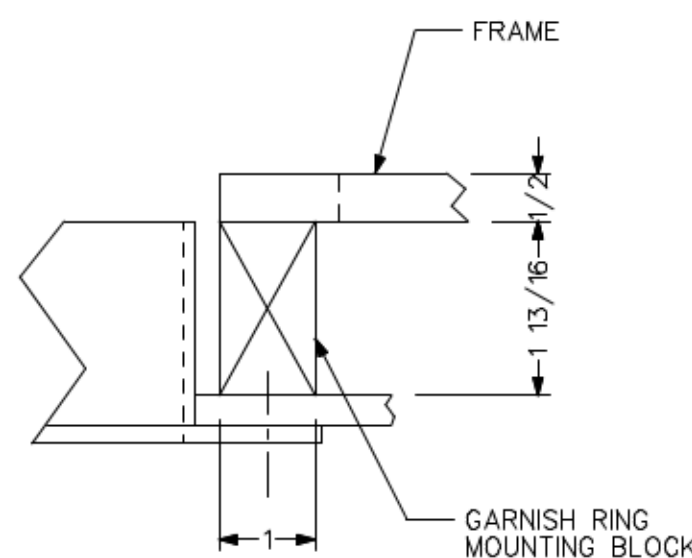
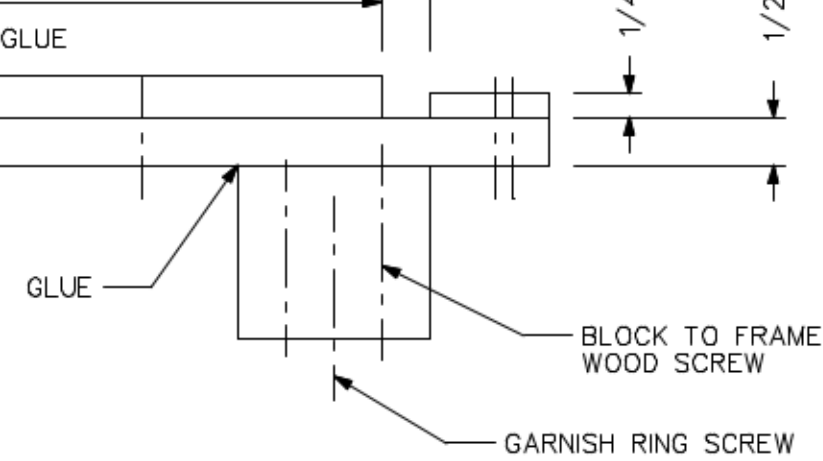


ALUMINUM STRAPS ON TOP OF MAXXAIR PLASTIC FLANGE

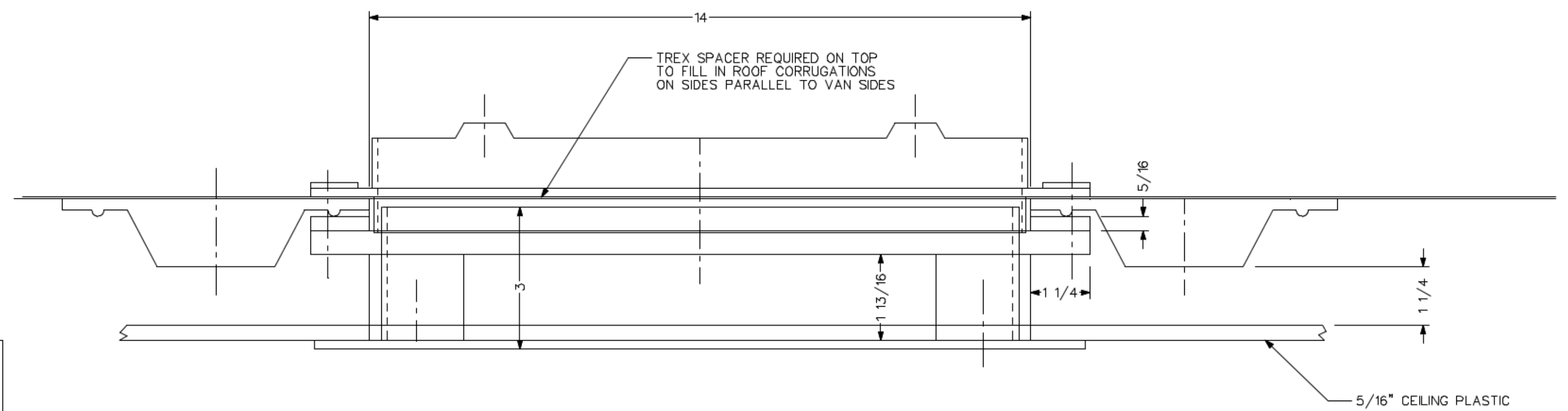
ALUM.



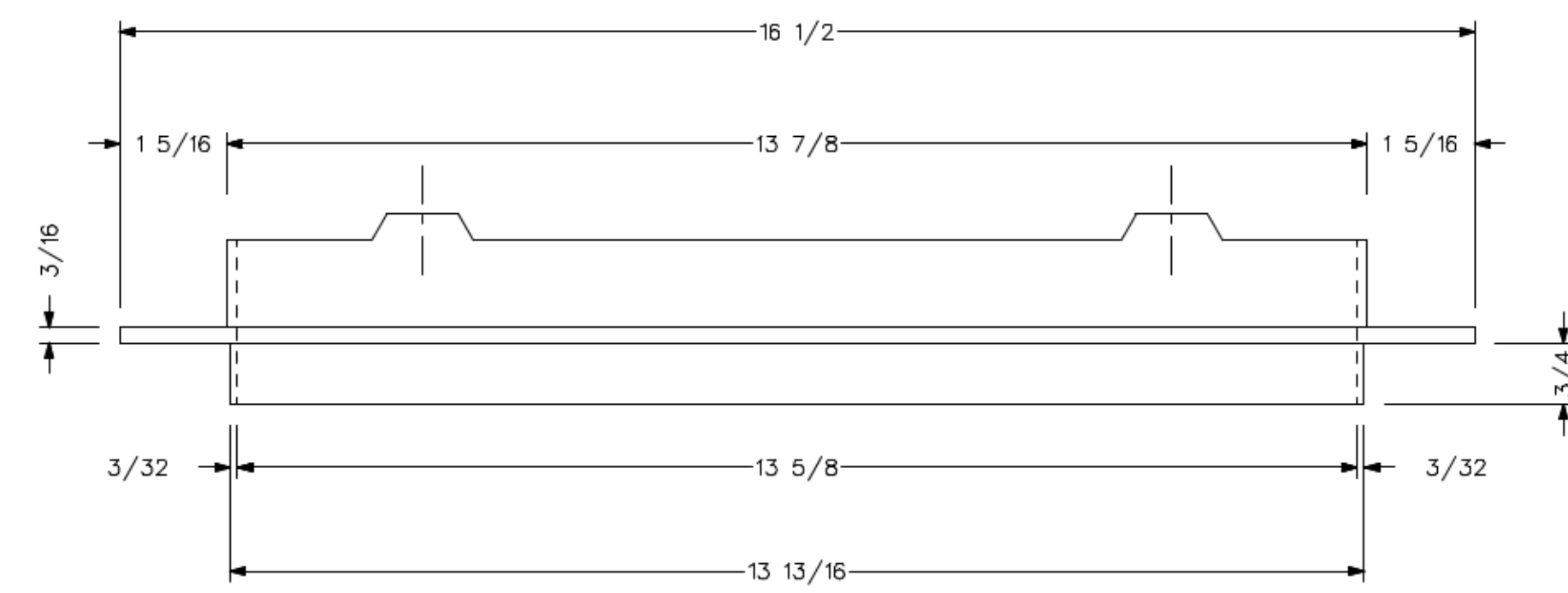
3/4" PLYWOOD FRAME



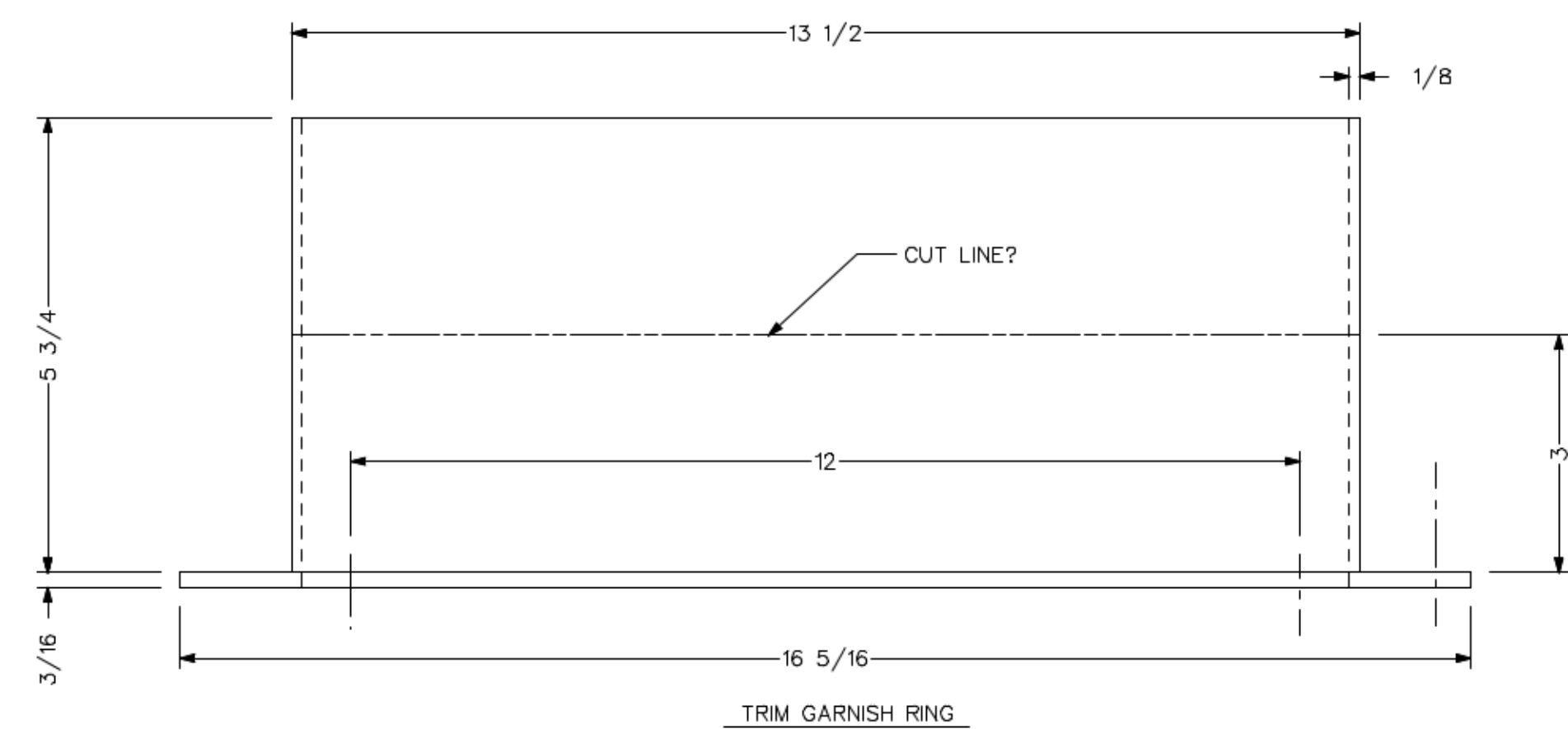
ROOF DIMENSIONS



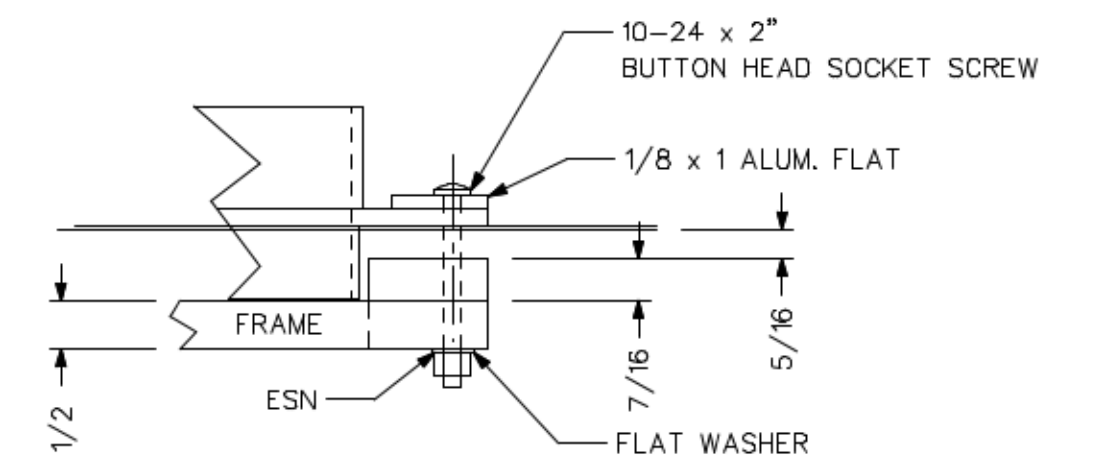
MAXXIFAN LOCATION



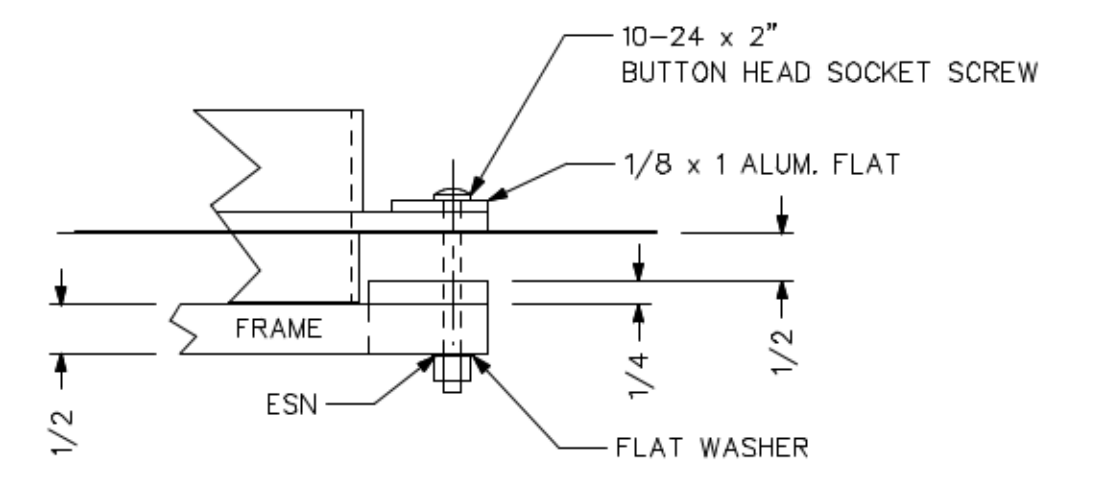
MAXXIFAN MOUNTING FRAME



TRIM GARNISH RING



BOLTING DETAIL ON SIDES



BOLTING DETAIL ON RIB FLANGE (FRONT AND BACK)

NOTES:

1. USE BUTYL TAPE BETWEEN FLANGE AND STEEL ROOF AT FRONT AND BACK
2. USE TWO STRIPS OF BUTYL TAPE ON THE SIDES, ABOVE & BELOW SPACER
3. PUT DICORE 501 SW ON EACH BOLT HEAD AND AROUND ALUMINUM STRIPS
4. PUT DICORE 501 SW AROUND EDGE OF FLANGE, THICK ON SIDES
5. THE WOOD PICTURE FRAME HAS TO SIT ON TOP OF THE RIB AT THE FRONT AND THE BACK SO 1/4" WOOD SPACERS ARE REQUIRED
6. THE WOOD PICTURE FRAME HAS TO SIT ON THE ROOF CORRUGATION ON THE SIDES SO 7/16" WOOD SPACERS ARE REQUIRED
7. I USED A 3/4" THICK PICTURE FRAME AND 2 1/2" SCREWS. END OF SCREWS WAS LOWER THAN CEILING RIB SO CHANGED DRAWING TO 1/2" FRAME AND 2" LONG SCREWS.

ORTON DESIGN

P.O. Box 480 Occidental CA 95465

ORTON
9-23-15
HALF

17.64" WB TRANSIT
MAXXAIR 6200K INSTALLATION

REVISED 10-9-15

ODJ127-32