

INSTALLATION:

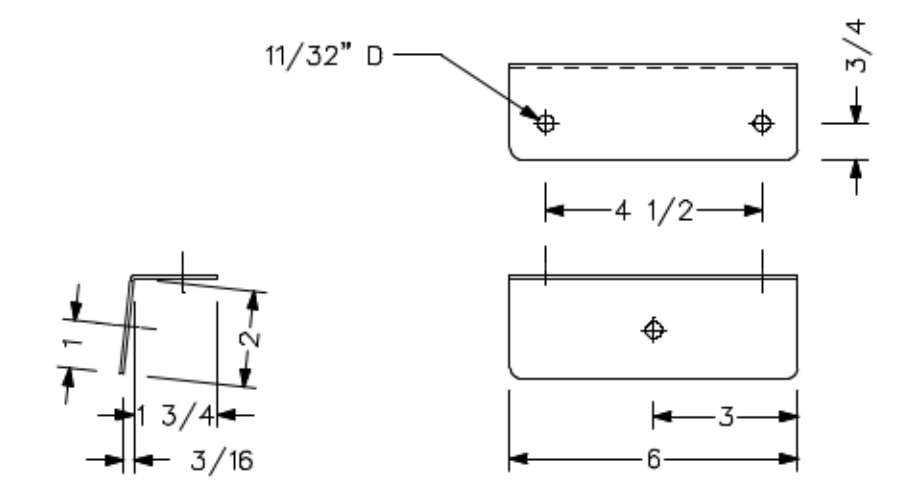
1. PUNCH TWO 7/8" DIA. HOLES FOR THE CABLES
2. PAINT THE HOLES AND INSTALL THE 90 DEGREE FITTINGS.
3. INSTALL THE B ANGLES TO THE PANEL
4. PUT BLANKET ON ROOF
5. TAPE CARDBOARD ON TOP OF PANEL
6. MOVE PANEL INTO CORRECT LOCATION
7. LOCATE AND DRILL 4 BOLT HOLES
8. INSTALL FOUR UNDER ROOF WOOD SUPPORTS BETWEEN RIBS.
1 1/4" x 2" WOOD GLUED TO ROOF
9. DRILL THROUGH THE FEET HOLES TO PUT HOLES IN THE WOOD SUPPORTS.
10. PUT MASTIC BETWEEN THE FEET AND THE ROOF AND INSTALL BOLTS.
11. REMOVE THE 8 BOLTS ON VERTICAL ANGLE LEGS.
12. BLOCK UP PANEL
13. INSTALL THE WIRES THROUGH THE CORD FITTINGS.
14. SEAL FOOT EDGES, 4 BOLTS AND THE WIRE CONNECTOR FITTINGS WITH DICOR 501LSW SEALANT
15. LOWER PANEL PART WAY DOWN.
16. CONNECT THE MC4 CONNECTORS WITH PANEL COVERED.
17. LOWER PANEL TO THE STAINLESS ANGLES AND INSTALL 8 BOLTS.
18. REMOVE THE PANEL COVER

NOTES:

1. TWO 90 DEGREE ALUMINUM CORD GRIPS
McMASTER-CARR PART # 8317K2-ALUMINUM
.19 TO .25 WIRE DIAMETER

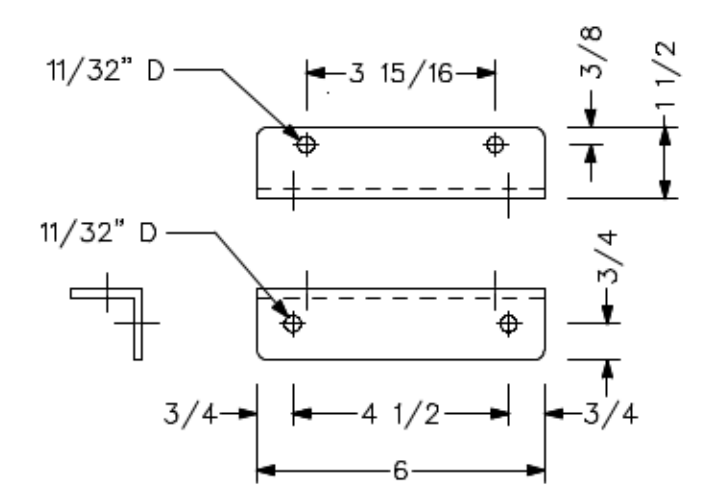
SUPPORT ANGLE

PART # ODJ127-27-1
QTY - 4
MAT - 14 GA. 304 SS



PANEL ANGLE

PART # ODJ127-27-2
QTY - 4
MAT - 3/16" X 1 1/2" ALUM.



ORTON DESIGN

P.O. Box 480 Occidental CA 95465

ORTON
1-10-15
3" = 1'

147.6 WB FORD TRANSIT
ROOF RIBS AND HOLES
LG 300 WATT PANEL INSTALL

REVISED 10-21-15

ODJ127-27