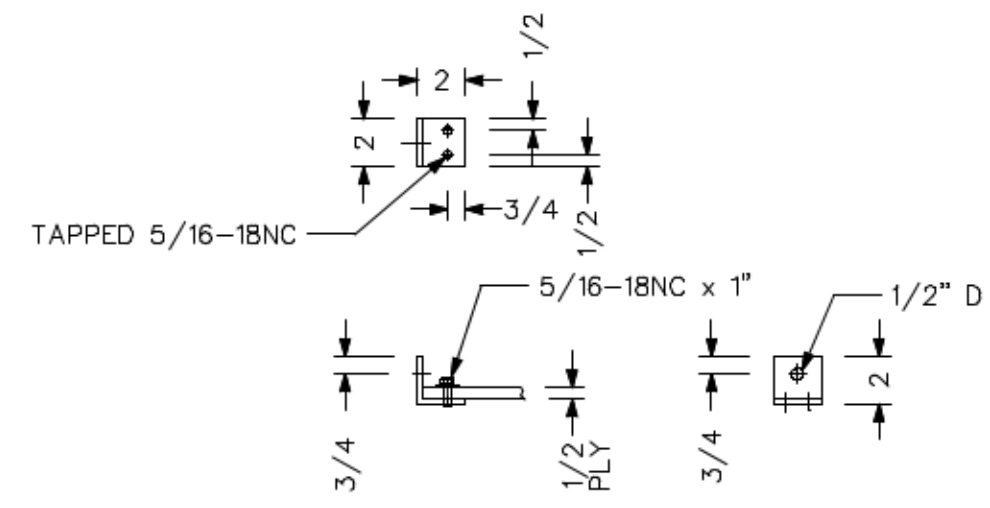


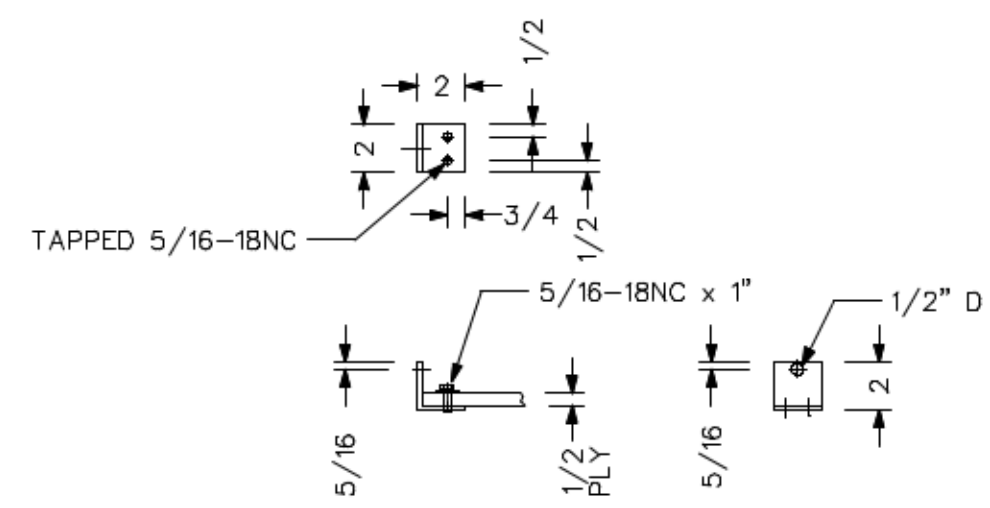
ANGLE # 1 FOR 1 9/16"

PART # ODJ127-23-1
QTY - 2
MAT - 3/16 x 2 ALUMINUM ANGLE



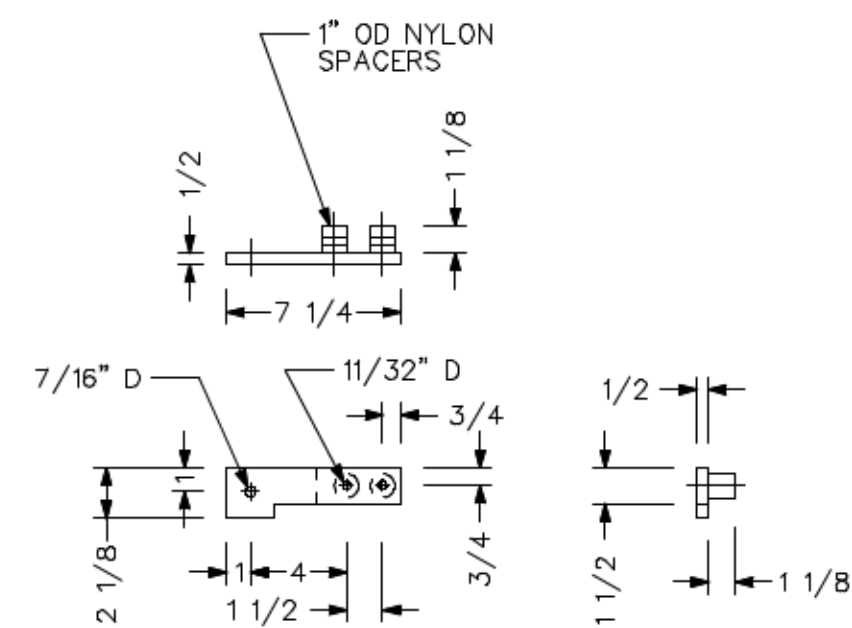
ANGLE # 2 FOR 1 5/8"

PART # ODJ127-23-2
QTY - 4
MAT - 3/16 x 2 ALUMINUM ANGLE



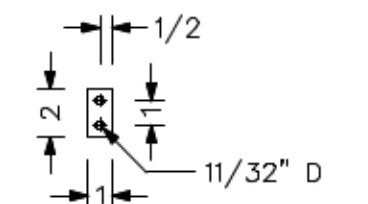
ANGLE # 3 FOR 2 1/16"

PART # ODJ127-23-3
QTY - 1
MAT - 3/16 x 2 ALUMINUM ANGLE



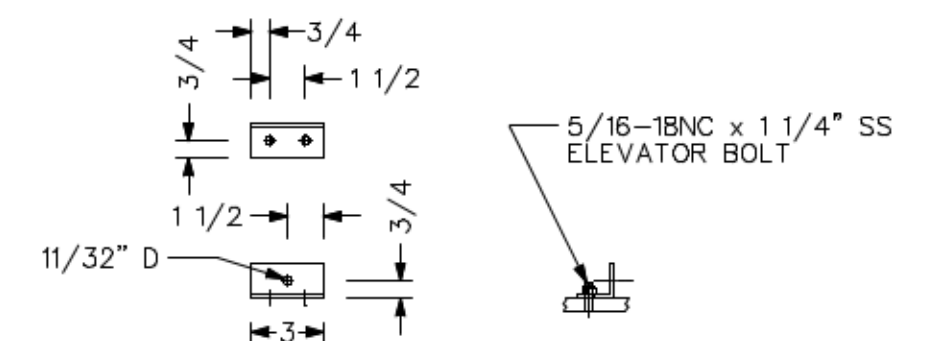
FRONT LEFT BOLT PLATE

PART # ODJ127-23-4
QTY - 1
MAT - PLYWOOD



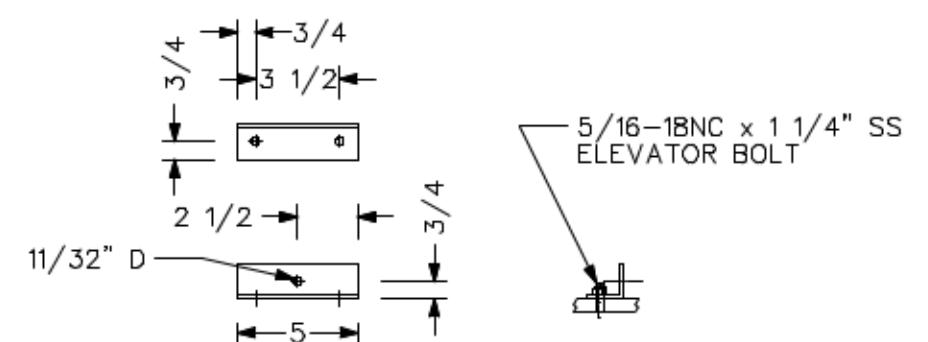
CLAMP PLATE

PART # ODJ127-23-5
QTY - 7
MAT - 3/16 x 1 ALUMINUM FLAT



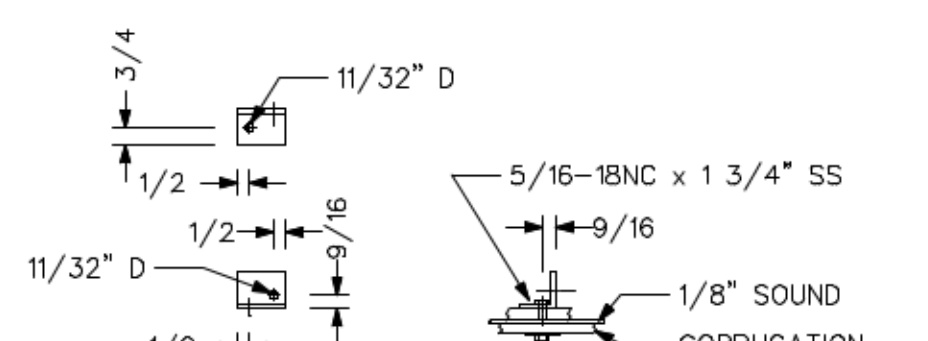
3" 80/20 END ANGLE

PART # ODJ127-23-6
QTY - 2
MAT - 3/16 x 1 1/2 ALUMINUM ANGLE



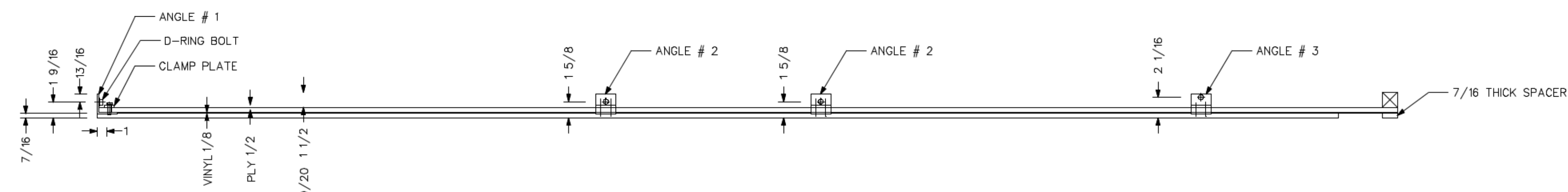
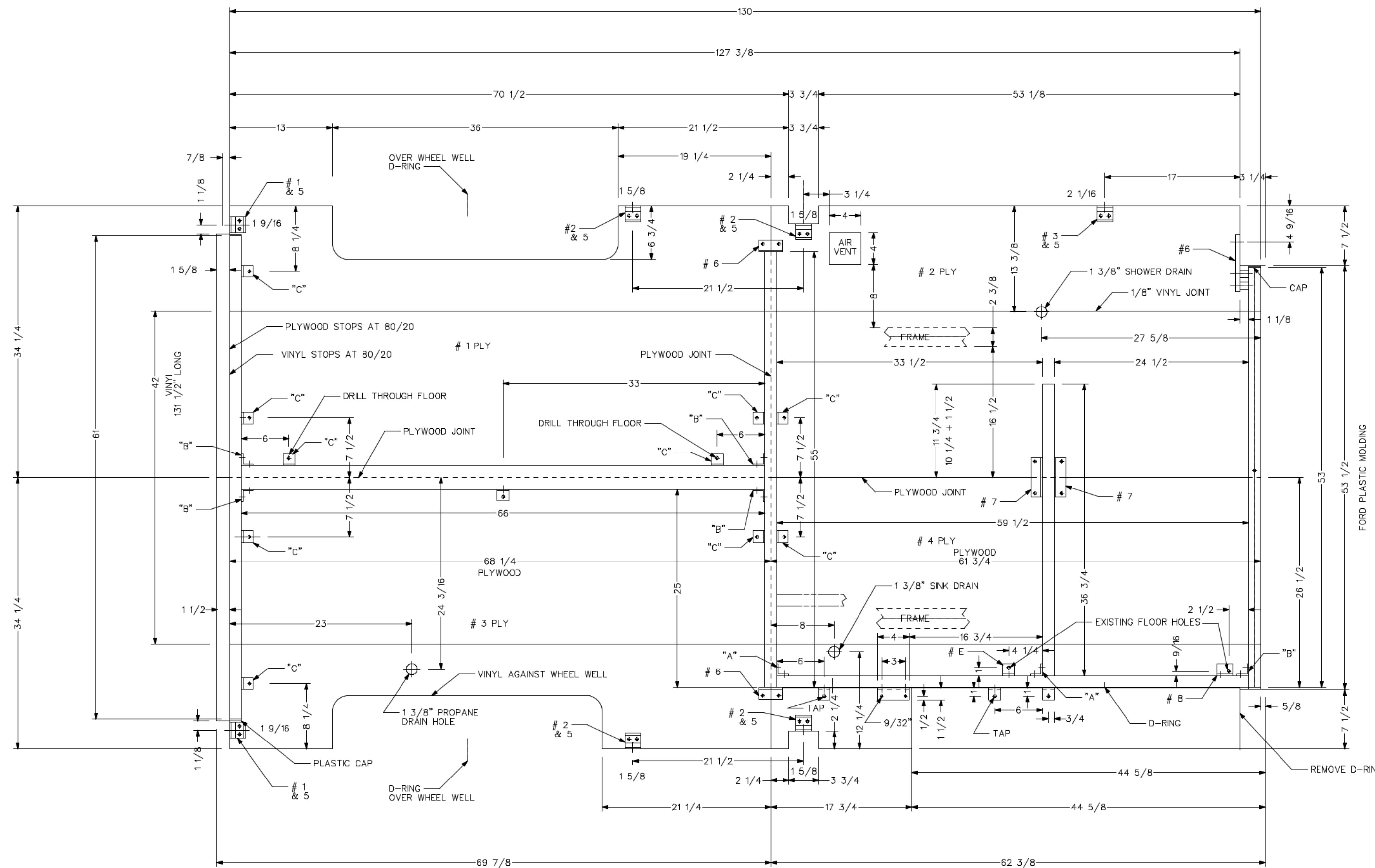
5" 80/20 END ANGLE

PART # ODJ127-23-7
QTY - 2
MAT - 3/16 x 1 1/2 ALUMINUM ANGLE



2" SLIDER ANGLE

PART # ODJ127-23-8
QTY - 1
MAT - 3/16 x 1 1/2 ALUMINUM ANGLE



NOTES:

1. ALL ANGLES & PLATES ARE 3/16"
2. ALL HOLES 11/32" EXCEPT D-RING
3. CORNER RADIUS NOT SHOWN
4. FOUR 4' x 8' SHEETS REQUIRED
5. 17 ELEVATOR BOLTS REQUIRED. PACKAGE IS 25
6. 1/8" VINYL UNDER 1/2" PLYWOOD
7. PLYWOOD SITS ON TOP OF D-RING ANGLES
8. 7/16-20NF BOLTS WORK IN THE D-RING TAPPED HOLES

- _____ 1
- _____ 2
- _____ 3
- _____ 4
- _____ 5
- _____ 6
- _____ 7
- _____ 8
- _____ 9
- _____ 10
- _____ 11
- _____ 12
- _____ 13
- _____ 14
- _____ 15

ORTON DESIGN

P.O. Box 480 Occidental CA 95465

ORTON
11-24-14
1 1/2" = 1'

147.6 WB TRANSIT
FLOOR PLYWOOD & 80/20

REVISED 6-13-15

ODJ127-23