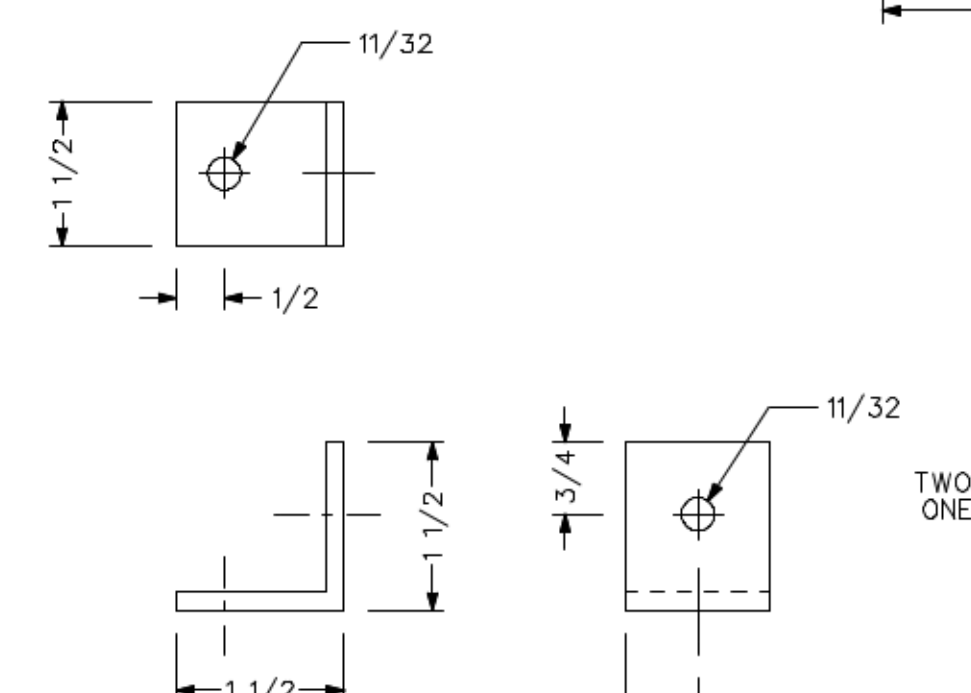
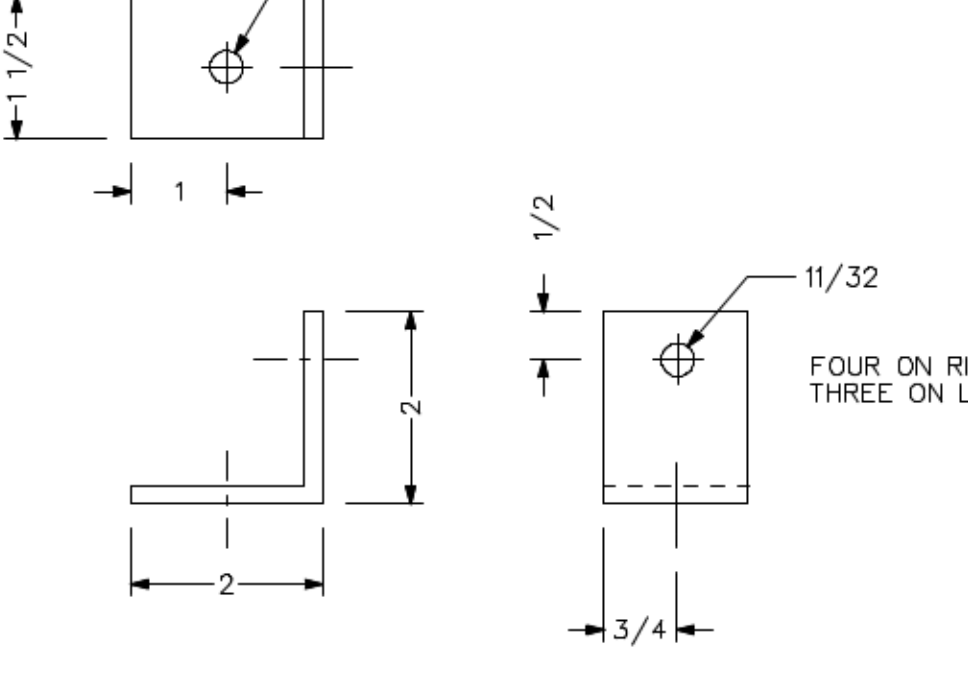
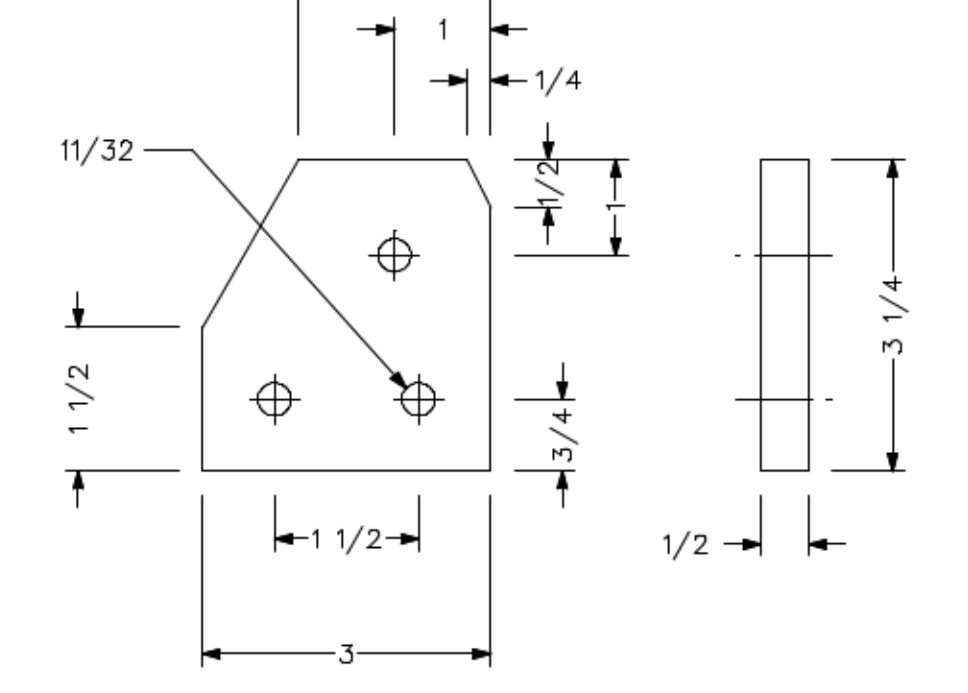
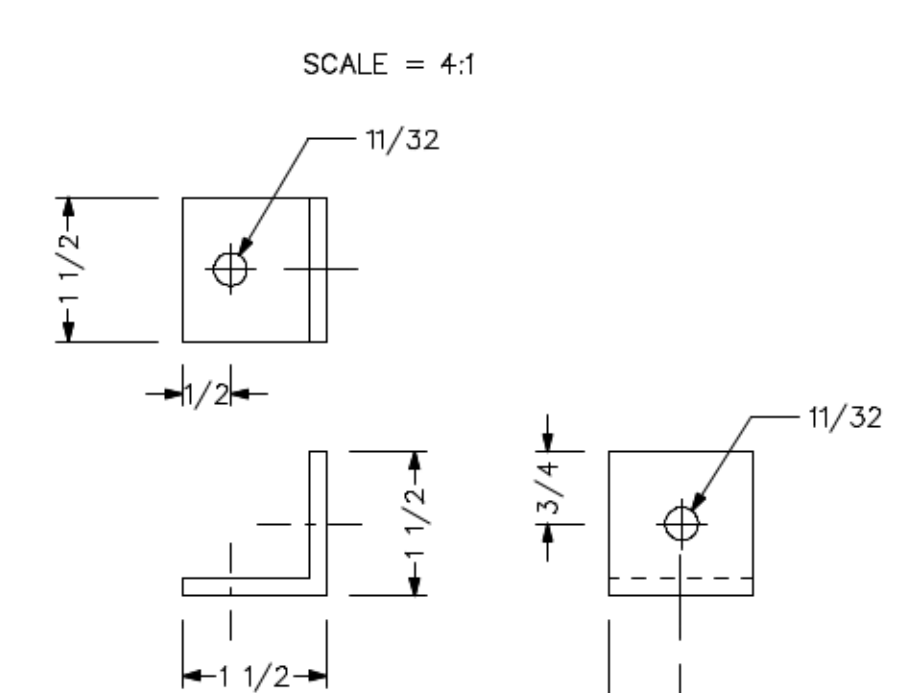
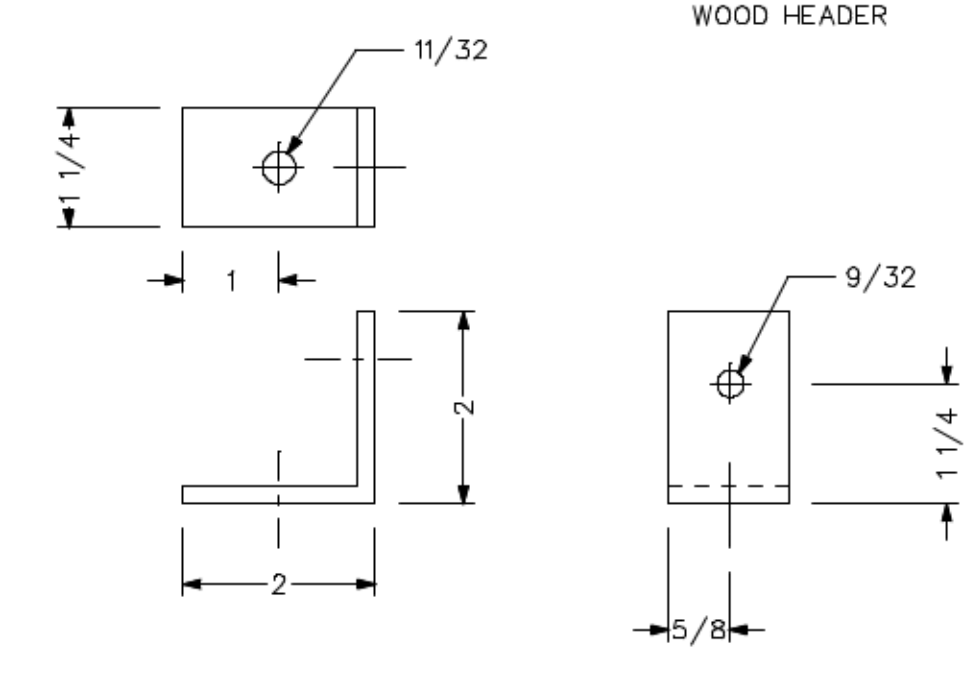


RIGHT SIDE OVERHEAD CABINET

LEFT SIDE OVERHEAD CABINET



RIB ATTACHMENT ANGLE

REAR CROSS ANGLE

PLYWOOD HANGER PLATE

FLOOR ATTACHMENT ANGLE

END FLOOR ANGLE

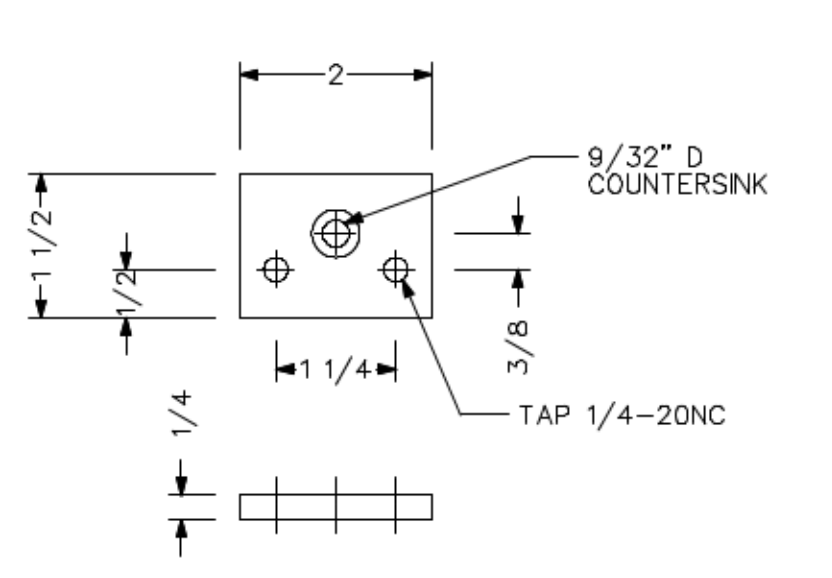
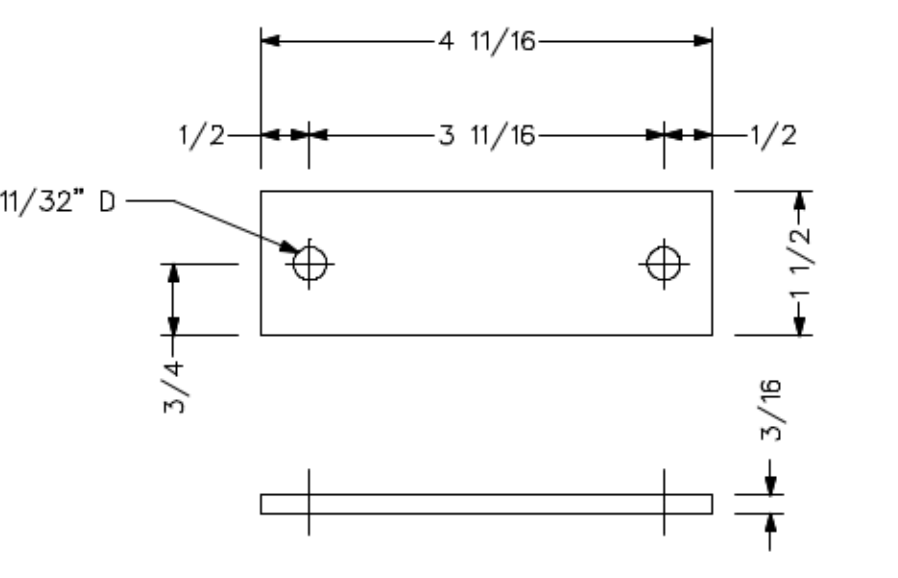
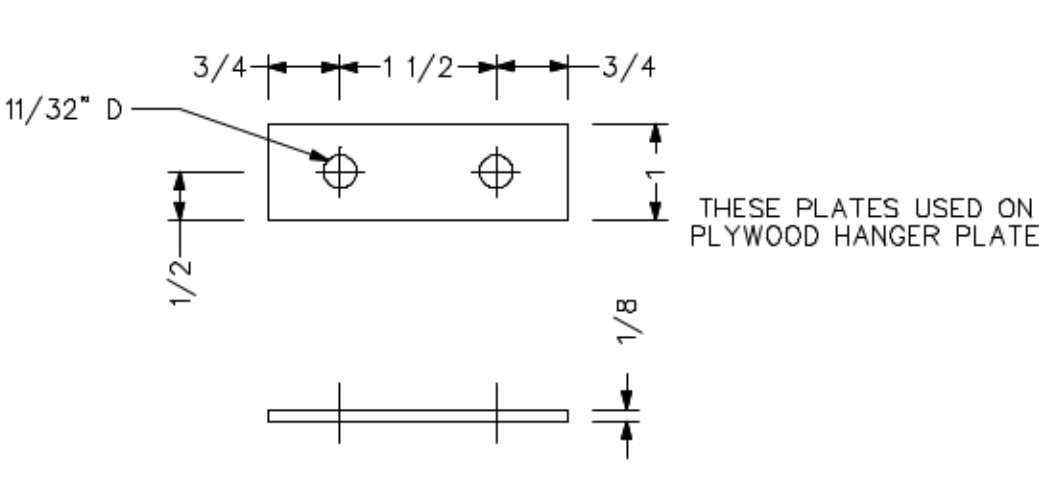
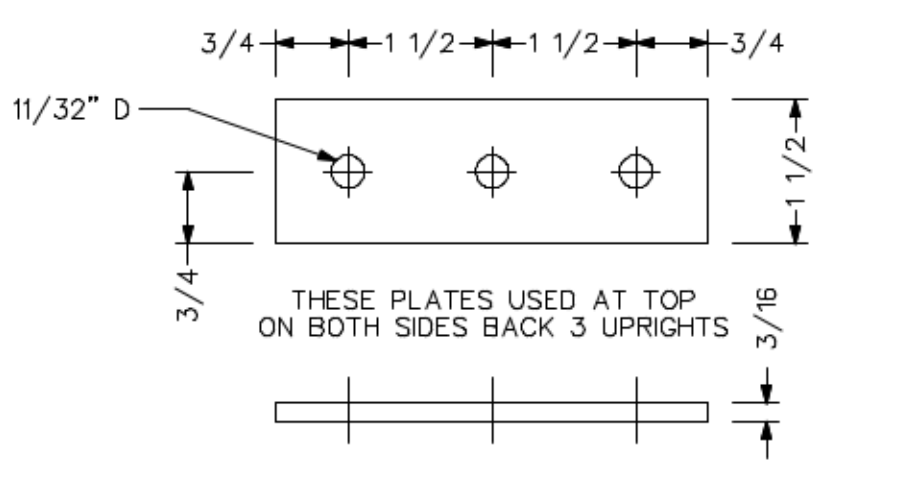
PART # ODJ127-04-1
QTY - 6
MAT - 3/16" x 1 1/2" ALUM. ANGLE

PART # ODJ127-04-2
QTY - 2
MAT - 3/16" x 1 1/2" ALUM. ANGLE

PART # ODJ127-04-3
QTY - 6
MAT - 1/2" PLYWOOD
SCALE = 4:1

PART # ODJ127-04-4
QTY - 7
MAT - 3/16" x 2" ALUM. ANGLE
SCALE = 4:1

PART # ODJ127-04-5
QTY - 3
MAT - 3/16" x 1 1/2" ALUM. ANGLE
SCALE = 4:1



3 HOLE CONNECTOR PLATE

2 HOLE WASHER PLATE

2 HOLE CROSS END PLATE

HEADER PLATE

PART # ODJ127-04-6
QTY - 6
MAT - 3/16" x 1 1/2" ALUM. FLAT
SCALE = 4:1

PART # ODJ127-04-7
QTY - 6
MAT - 3/16" x 1 1/2" ALUM. FLAT
SCALE = 4:1

PART # ODJ127-04-8
QTY - 2
MAT - 3/16" x 1 1/2" ALUM. FLAT
SCALE = 4:1

PART # ODJ127-04-9
QTY - 7
MAT - 1/4" ALUM. FLAT
SCALE = 4:1

- NOTES:**
- PART QUANTITIES SHOWN FOR BOTH CABINETS
 - LEFT CABINET FLOOR HAS THREE ANGLE FLOOR CONNECTORS & SITS ON 80/20 AT THE FRONT
 - LEFT CABINET HAS PLYWOOD END AT REAR & STOP AT FRONT.
 - RIGHT CABINET HAS TWO PLYWOOD ENDS.

ORTON DESIGN

P.O. Box 480 Occidental CA 95465

ORTON
6-28-13
1 1/2" = 1'

147.6" WB FORD TRANSIT
UPPER STORAGE CABINETS

REVISED 10-12-16

ODJ127-04